

C353

Full HD Mini-PCIe HW H.264 Capture Card



Features

- Hardware H.264 Compression
- PCI Express Mini Card form factor
- HDMI/ VGA/ DVI input interface
- Max capturing 1920 x 1080 60fps
- Up to 60Mbps encoding capability
- Low power consumption (1.5 Watts)

Introduction

The C353 is a PCI Express Mini video capture card is based on H.264 hardware compression which brings Full HD video capture with low CPU consumption. The C353 can ingest and capture HDMI, VGA, or DVI sources for monitoring, archiving or analyzing Full HD video content with more flexibilities and possibilities.

With encoding capabilities of up to 60Mbps, C353 provides industry-leading hardware encoding performance that preserves the crystal-like video quality while maintaining low CPU loading.

It is endowed with full functions that are required for performing Full HD video capture for industrial and commercial markets such as data recorder, medical imaging, machine vision or any industrial imaging. The C353 commits to shorten the development schedule and providing integrators with a complete and rugged solution towards building their own applications.

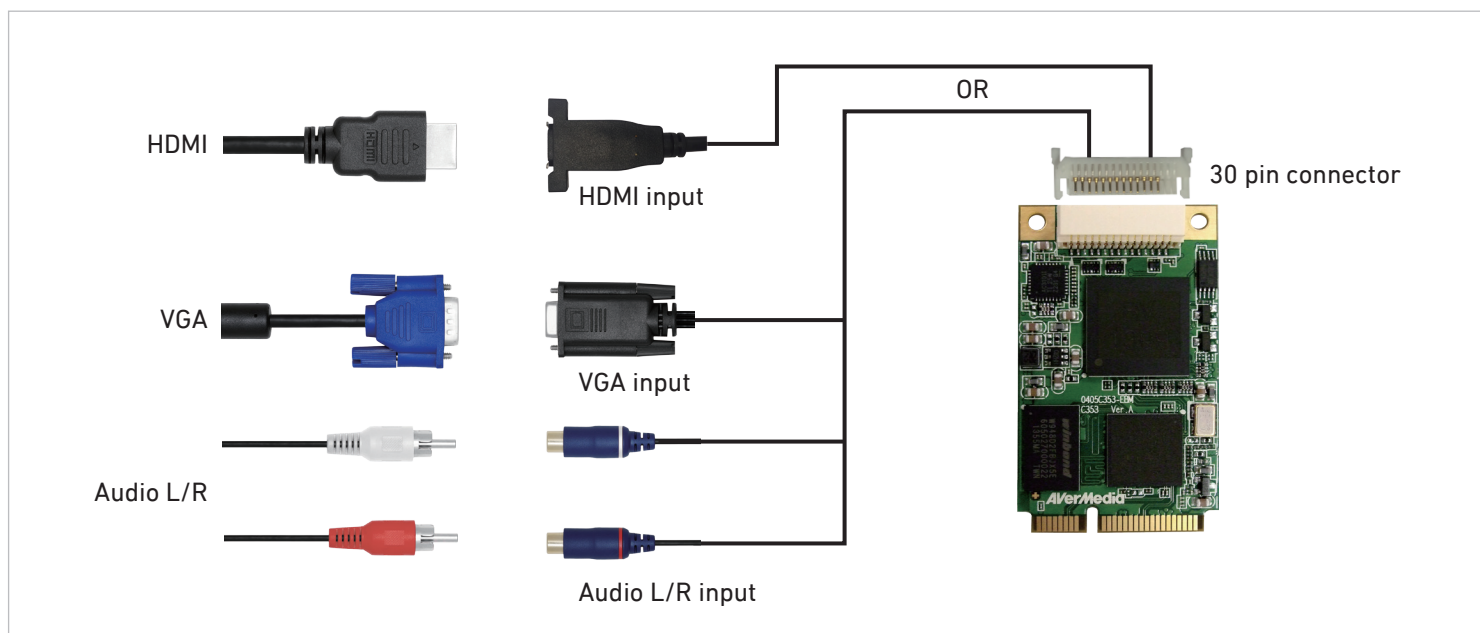
Hardware H.264 Compression

The C353 is equipped with an advanced built-in H.264 hardware encoder, which enables the system to encode without impacting the CPU's computing power but still maintain high quality video. This feature will help balance the loading and will increase the system's reliability. As a result, the C353 will significantly assist to reduce the computing efforts on hardware and software in order to focus on other important parts of application in hand.

Mini PCIe Compact Form Factor

The compact form factor design from a PCI Express Mini Card is perfect to fit into small-footprint embedded system, as well as a lower power consumption resulting in a more efficient solution. Also available for vibration-proof, lock holes specifically suits in-vehicle, military and industrial applications.

Connection Diagram



Specifications

Host Interface	PCI Express Mini Card
Audio Interface	HDMI / LR
Audio Format	LPCM / PCM
Audio Sampling Rate	32KHz, 44.1KHz, 48KHz
Connector Type	SHLD 30 pin connector
Input Interface	HDMI / VGA / DVI
Video Format	YUV
Color Depth	8-bit
Channel No.	1 Ch
Max. Input Resolution	1920 x 1080 60fps
Max. Recording Resolution	1920 x 1080 30fps

Encoding Mode	Hardware Encoding (H.264)
Multi-Card Support	Yes
Supported OS	Windows 7/8.1/10 (32/64 bits), Linux (32/64 bits) *
Form factor	Mini Card
Dimension (L x W)	50.80 x 29.85 mm
Power Consumption	1.5W
Operating Temperature	0°C ~ 55°C
Operating Humidity	5% ~ 80% Relative Humidity
Safety Certification	FCC / CE

* Linux Services

- Support Linux kernel 2.6.14 version and later based on V4L2 & ALSA framework
- Driver customization service by request

Versatile SDK

AVerMedia software development kit (SDK), a set of development tools that allows a software engineer to seamlessly integrate video capture modules into application specific systems. Available upon request are the SDK Basic, SDK Pro and to better match each application's specific requirements premium add-on kits.

Ordering Information

- C353: Full HD Mini-PCIe HW H.264 Capture Card
- Accessories:
 - SHLD 30 pin to HDMI, VGA, or DVI adapter cable (Optional)
- SDK kits
 - SDK Basic
 - SDK Pro (Optional)
 - SDK Premium Add-on Kits (Optional)