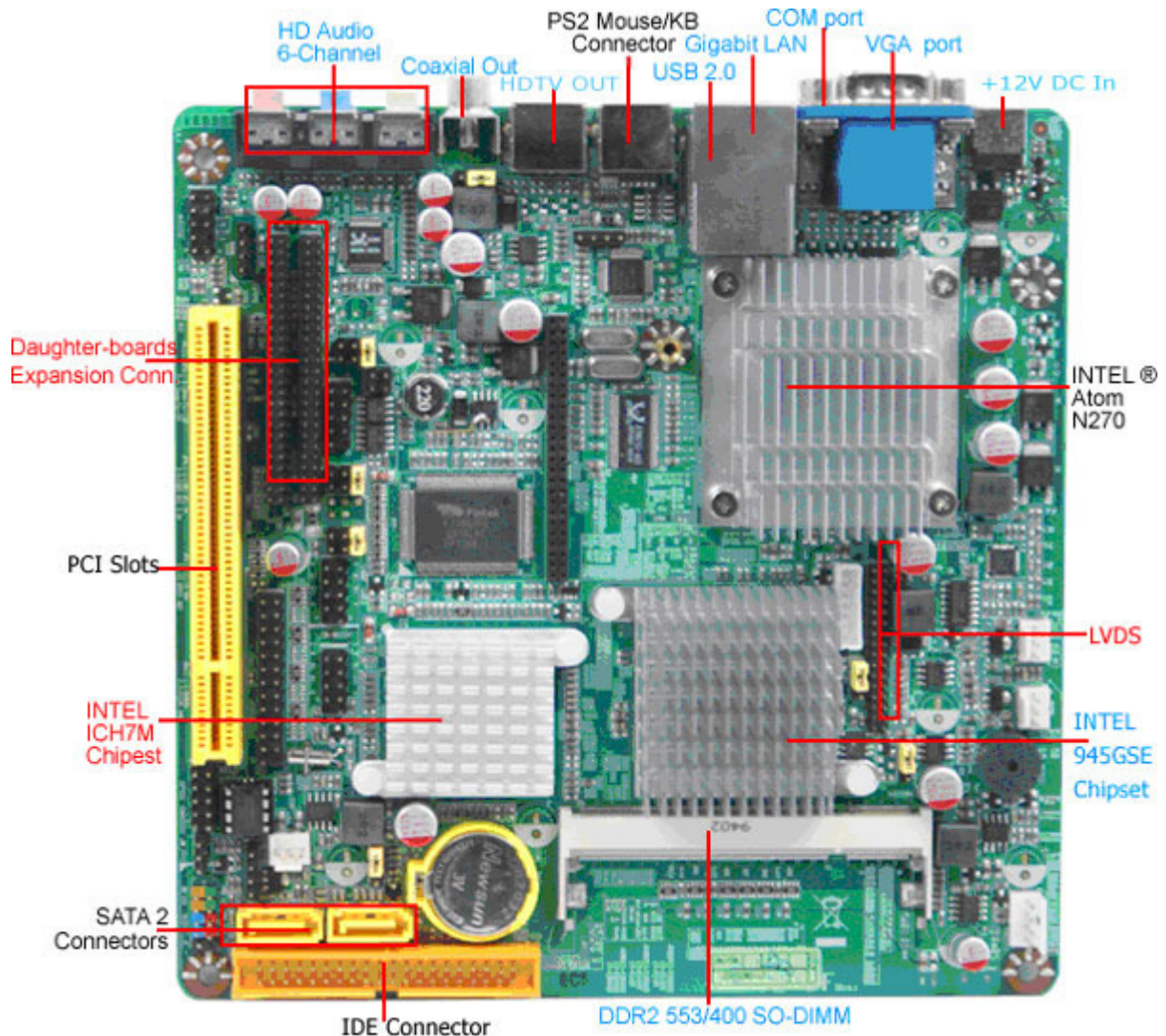


**NF92-LF**

1. INTEL®945GSE +ICH7M Chipset
2. Build-in INTEL® GMA 950 HD Graphics Core
3. Supports INTEL® Atom N270 Cpu
4. Supports Gigabit LAN
5. Support Power On Board
6. Integrated ALC662 HD Audio CODEC with 6-CH
7. Onboard 18-bit dual channel LVDS connector
8. Support Watch dog Technology
9. Mini-ITX Form Factor(170mm x 170mm)







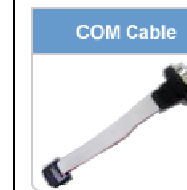
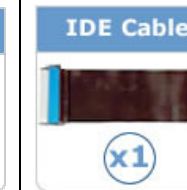


## Board Specifications

■ <b>CPU</b>	■ INTEL® Atom N270 CPU(45nm,512K Cache, 1.60 GHz, 533 MHz FSB)
■ <b>Chipset</b>	■ INTEL® 945GSE + ICH7M chipset ■ Build-in INTEL® GMA 950 Graphics Core(Share Memory Size: 128/224MB) ■ Front Side Bus 533MHz
■ <b>Memory</b>	■ 1 * SO-DIMM Sockets for un-buffered Single Channel DDR2 533/400 SDRAM up to 2 GB
■ <b>Expansion Slots</b>	■ 1 * PCI slot
■ <b>Storage</b>	■ 2 * Serial ATA2 3Gb/s connectors ■ 1 * Ultra DMA 100 / 66 IDE connector
■ <b>Audio</b>	■ Realtek ALC662 6-Channel HD Audio CODEC
■ <b>Ethernet LAN</b>	■ Realtek RTL8111DL PCI-E Gigabit Ethernet LAN
■ <b>LVDS</b>	■ Onboard 18-bit dual channel LVDS connector
■ <b>USB</b>	■ Embedded 6 * USB 2.0/1.1
■ <b>Special Features</b>	■ Intel Diamond Ville Platform ■ Support ACPI S3 ■ Support CPU Smart FAN ■ Support DC FAN
■ <b>Rear Panel I / O</b>	■ 2 * USB 2.0/1.1 ports ■ 1 * Keyboard connector ■ 1 * RJ-45 port ■ 3 * Audio I/O ports ( Line-in, MIC and line-out ) ■ 1 * VGA port ■ 1* COM port for RS-232 ■ 1 * HDTV-OUT ■ 1 * Coaxial out ■ 1 * +12V DC In
■ <b>Internal I / O</b>	■ 2 * USB 2.0/1.1 headers for 4 USB 2.0 ports ■ NB / Chassis Fan connectors; ■ 1 * 4-pin Power connector ■ 1 * 32-pin LVDS header & 1 * GPIO header ■ 1 * COM header ( COM4 for RS-422/485) ■ 1 * AUDIO header ■ 1 * JWDB Pin Header & 1 * Parallel port
■ <b>Functional</b>	■ ATM, Automation, medical Equipment, Security, Networking, POS, General Application, Gaming Machine, Transportation
■ <b>Temperature</b>	■ Operating within 0~60 centigrade ■ Storage within -20-85 centigrade
■ <b>BIOS</b>	■ Award 8MB DIP Flash ROM
■ <b>Form Factor</b>	■ Mini ITX Form Factor(170mm x 170mm)

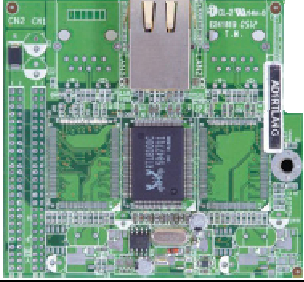
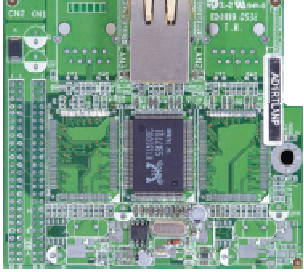
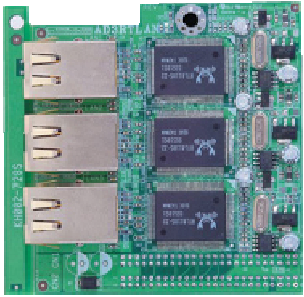
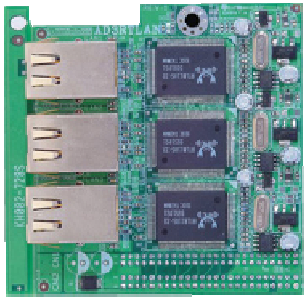
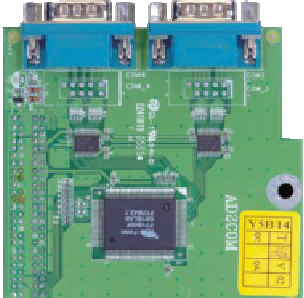
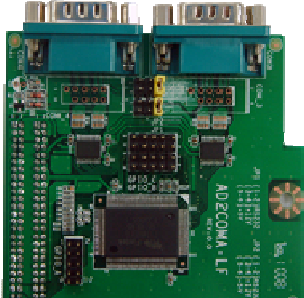

\*For further information please visit the website at <http://www.jetway.com.tw>

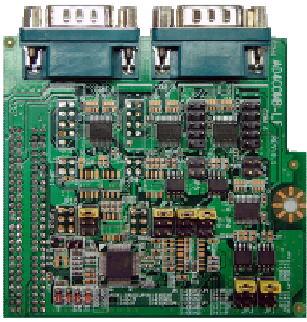
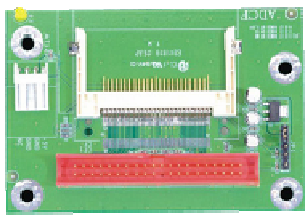
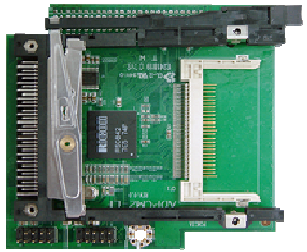



\*The Specification may be changed without further notice.

## Product Accessories

**Expansion Daughter-boards(optional)**

<p><b>JAD1RTLNG</b></p>		<p><b>Specifications:</b></p> <p>1 * Realtek RTL8110SC PCI Gigabit LAN</p> <p><b>Accessories</b></p> <p><b>IO Shield:</b> F04-094-F</p>
<p><b>JAD1RTLNP</b></p>		<p><b>Specifications:</b></p> <p>1 * Realtek RTL8100C PCI 10/100m LAN</p> <p><b>Accessories</b></p> <p><b>IO Shield:</b> F04-094-F</p>
<p><b>JAD3RTLNG</b></p>		<p><b>Specifications:</b></p> <p>3 * Realtek RTL8110SC PCI Gigabit LAN</p> <p><b>Accessories</b></p> <p><b>IO Shield:</b> F04-094-F</p>
<p><b>JAD3RTLNP</b></p>		<p><b>Specifications:</b></p> <p>3 * Realtek RTL8100C PCI 10/100m LAN</p> <p><b>Accessories</b></p> <p><b>IO Shield:</b> F04-094-F</p>
<p><b>JAD2COM</b></p>		<p><b>Specifications:</b></p> <p>2 * COM port</p> <p><b>Accessories</b></p> <p><b>IO Shield:</b> F04-092  F04-143-F for J7F5M series  F04-164COM-F for NC92</p> <p><b>Manual:</b> G03-MINI-ITX-ADF</p>
<p><b>JAD2COMGPIO</b></p>		<p><b>Specifications:</b></p> <p>2 * COM port + 24 bit GPIO</p> <p><b>Accessories</b></p> <p><b>IO Shield:</b> F04-092  F04-143-F for J7F5M series  F04-164COM-F for NC92</p> <p><b>Manual:</b> G03-AD2COMGPIO-F</p>
<p><b>JAD4COM</b></p>		<p><b>Specifications:</b></p>

		<p>4 * COM port</p> <p><b>Accessories</b></p> <p><b>IO Shield:</b> F04-092F04-143-F for J7F5M series F04-164COM-F for NC92</p> <p><b>Manual:</b> G03-MINI-ITX-ADF</p>
<b>JAD4COMB</b>		<p><b>Specifications:</b></p> <p>4 * COM port + 2 RS422/485</p>
		<p><b>Accessories</b></p> <p><b>IO Shield:</b> F04-092 F04-143-F for J7F5M series F04-164COM-F for NC92</p>
		<p><b>Manual:</b> G03-AD4COMB-F</p>
<b>JADCF</b>		<p><b>Specifications:</b></p> <p>IDE to CF Socket</p>
		<p><b>Accessories</b></p>
<b>JADPCM2</b>		<p><b>Specifications:</b></p> <p>1 * PCMCIA + 1X CF Socket</p>
		<p><b>Accessories</b></p> <p><b>IO Shield:</b> F04-091 F04-144-F for J7F5M series F04-164PC-F for NC92</p>
		<p><b>Manual:</b> G03-MINI-ITX-AD</p>
<b>JAD9LV4COM</b>		<p><b>Specifications:</b></p> <p>2 * COM port + 24 bit LVDS header</p>
		<p><b>Accessories</b></p>
<b>JAD9HDMI</b>		<p><b>Specifications:</b></p> <p>1 * HDMI port + DVI port</p>
		<p><b>Accessories</b></p>
<b>JAD9CRT4C2L</b>		<p><b>Specifications:</b></p> <p>1 * VGA port + 2 * Gigabit LAN 3 * RS232 header + 1 * RS232/422/485</p>
		<p><b>Accessories</b></p>